

INSTALLATION INSTRUCTIONS

Figure 1



Setup

- Separate your umbrella from the lower pole.
- Place a towel on the ground to protect the umbrella fabric from stains or abrasion.
- Open the umbrella and lean it on the towel. (Figure 1)
- Sit or stand facing the umbrella. Work on the rib closest to you.
- Slightly lift and rotate the umbrella to position each rib in front of you during installation.

Figure 2

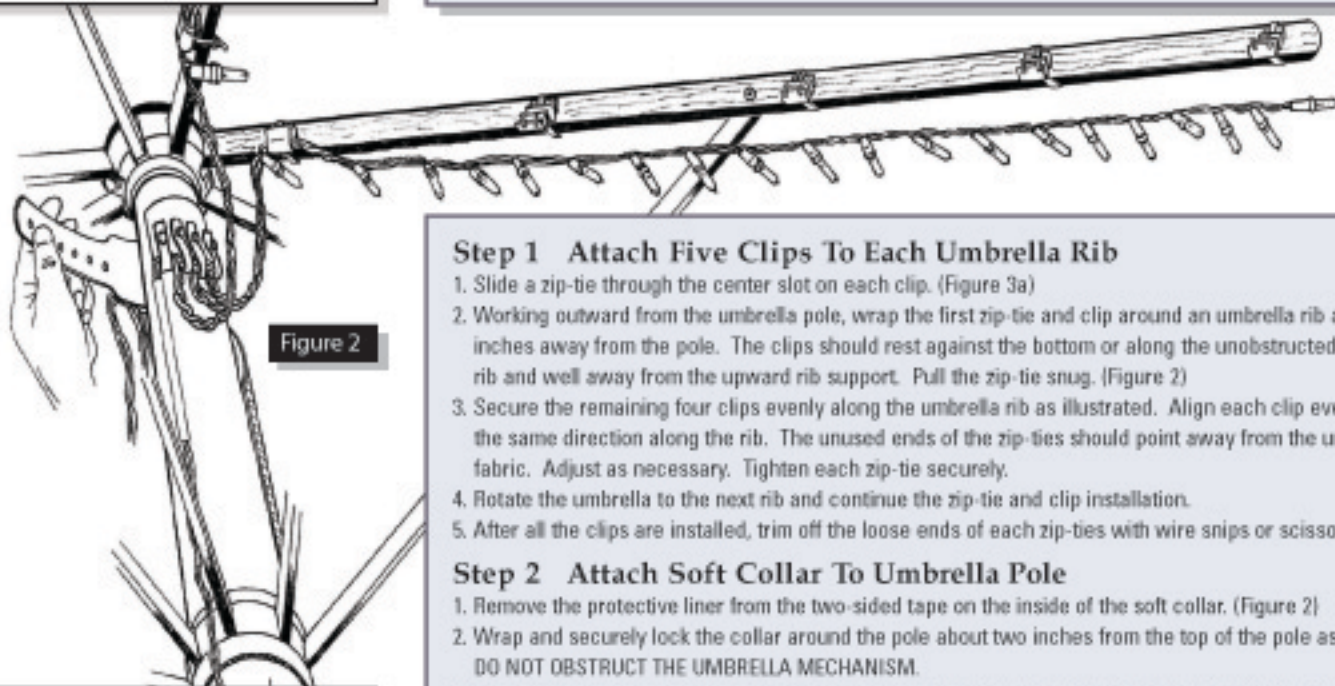


Figure 3

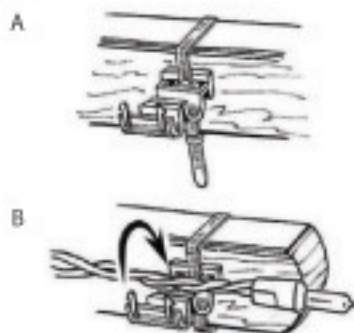
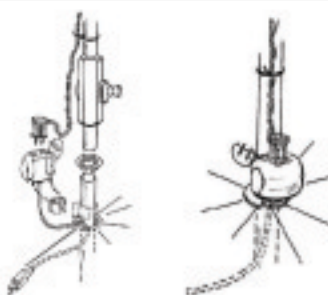


Figure 4



Figure 5



Step 1 Attach Five Clips To Each Umbrella Rib

1. Slide a zip-tie through the center slot on each clip. (Figure 3a)
2. Working outward from the umbrella pole, wrap the first zip-tie and clip around an umbrella rib about two inches away from the pole. The clips should rest against the bottom or along the unobstructed side of a rib and well away from the upward rib support. Pull the zip-tie snug. (Figure 2)
3. Secure the remaining four clips evenly along the umbrella rib as illustrated. Align each clip evenly in the same direction along the rib. The unused ends of the zip-ties should point away from the umbrella fabric. Adjust as necessary. Tighten each zip-tie securely.
4. Rotate the umbrella to the next rib and continue the zip-tie and clip installation.
5. After all the clips are installed, trim off the loose ends of each zip-ties with wire snips or scissors.

Step 2 Attach Soft Collar To Umbrella Pole

1. Remove the protective liner from the two-sided tape on the inside of the soft collar. (Figure 2)
2. Wrap and securely lock the collar around the pole about two inches from the top of the pole as shown. **DO NOT OBSTRUCT THE UMBRELLA MECHANISM.**
3. Position light each string bundle below the appropriate rib. **DO NOT UNRAVEL THE INDIVIDUAL BUNDLES.**
4. Locate and unravel the plug wire.

Step 3 Attach Light String To First Clip

1. Locate and unravel a light string bundle next to the unraveled plug wire.
2. Find the nearest umbrella rib directly above that light string.
3. Just after the first bulb, place the light string into the first clip from the pole. Snap the clip closed around the light string. (Figure 2)

Step 4 Adjust Length Of The Light String For Appearance

1. Hold the first clip and light string in position. Gently pull on the far end of the light string to extend and straighten it along the rib. (Figure 2)
2. Adjust the length of the string by gently winding or unwinding the string until the length best suits the length of the rib. (Figure 4)
3. With the light string in position along the rib, snap the last clip on the rib closed around the light string just before the last bulb. (Figure 3b)
4. Snap the remaining clips closed around that light string. Reposition zip-ties and clips as necessary.

Step 5 Secure Remaining Light Strings To The Ribs

1. Rotate the umbrella and repeat Steps 3 through 5 for each remaining light string and umbrella rib.

Step 6 Attach Convenient Power Receptacle and Umbrella

1. With the lower umbrella pole in place, check the available space within the table's center hole. If the gap is large enough to allow the power receptacle cord to fit through the space along side the pole without crushing or causing abrasion, remove the lower pole from the table. Pass the cord down through the hole. Replace the lower pole. (NOTE: For tables with glass tops, a replacement protection ring is provided. A separation in the ring can be made with wire snips or scissors to accommodate the cord. Wood or metal tables may require other minor modifications.)
2. Snap the convenient power receptacle to the pole just above tabletop.
3. Reattach the upper portion of the umbrella to the lower pole. Open the umbrella slowly, making sure you preformed the light string installation correctly.
4. Use a zip-tie and clip to hold the plug wire in neatly place along the pole.
5. Connect the convenient power receptacle to an "Outdoor Rated" extension cord from a "G.F.C.I." protected outlet. Plug Brella Lights® into the top receptacle.

Sit back, relax and enjoy the features of your Brella Lights® Patio Umbrella Lighting System.